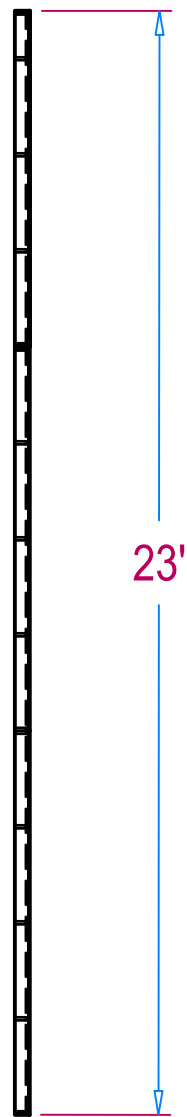
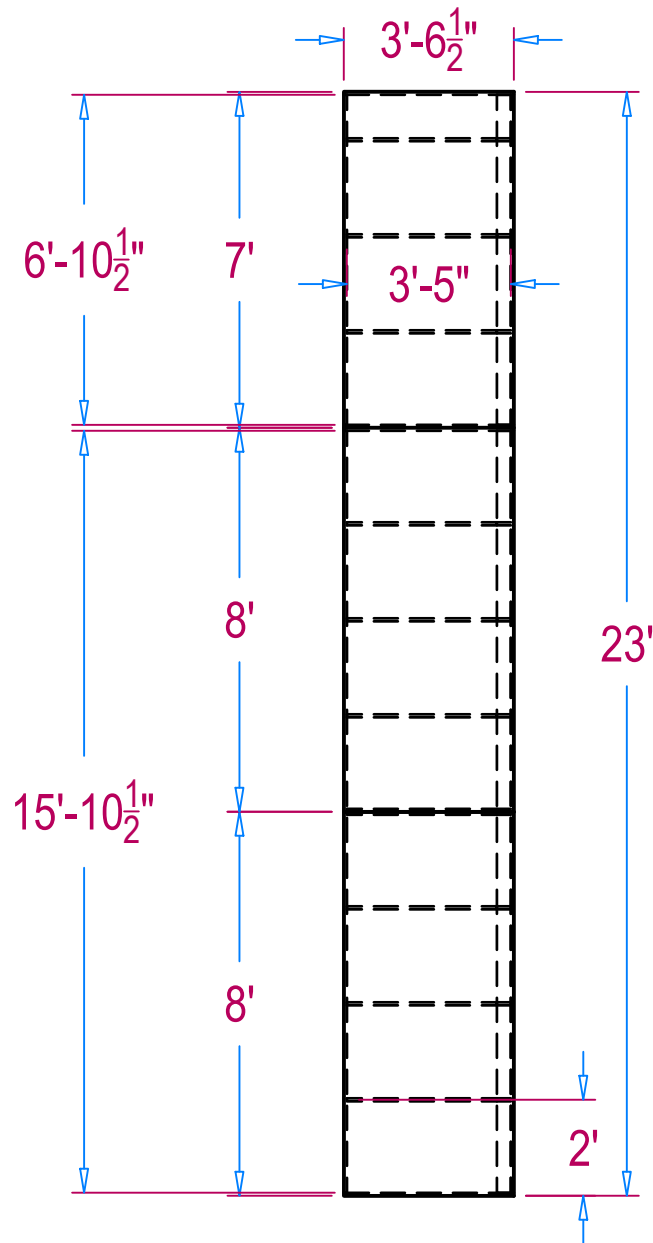


1  
A Elevation 1/4" = 1'



2  
A Elevation 1/4" = 1'



3  
A Elevation 1/4" = 1'



4  
A Isometric View NTS

(Build 2 R&R)

A

SCALE:  
1/2" = 10'

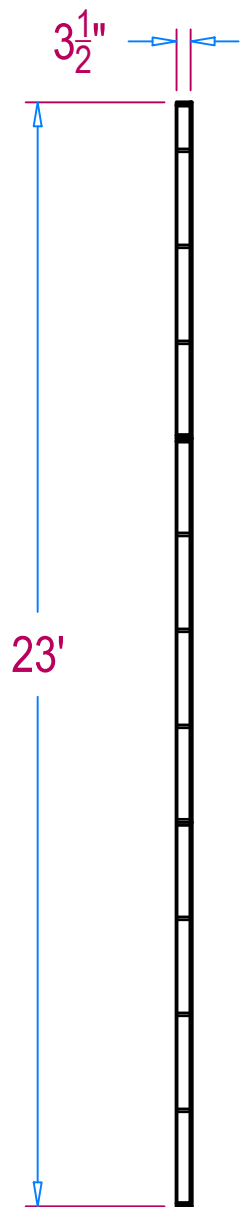
DRAWN BY:  
Aaron Laudermith  
PRINT DATE  
3/21/17

WAA-MU 2017  
BUILD DRAWING

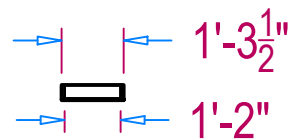
Contents:

DIRECTOR:  
David Bell  
SCENIC DESIGNER:  
Scott Davis  
LIGHTING DESIGNER:  
Will Kirkham

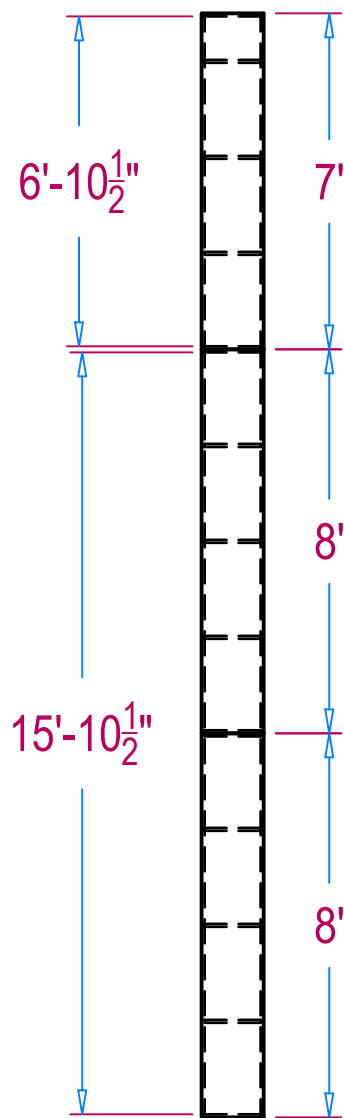
Northwestern University / Wirtz Center



3  
B Side View 1/4" = 1'



1  
B Plan 1/4" = 1'



3  
B Elevation 1/4" = 1'

2  
B Isometric View NTS



(Build 2)

Northwestern University / Wirtz Center

DIRECTOR:

David Bell

SCENIC DESIGNER:

Scott Davis

LIGHTING DESIGNER:

Will Kirkham

WAA-MU 2017

DRAWN BY:  
Aaron Laudermith

SCALE:

1/2" = 1'0"

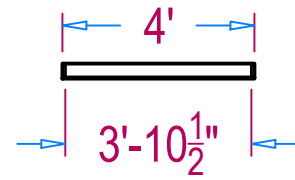
PRINT DATE

3/21/17

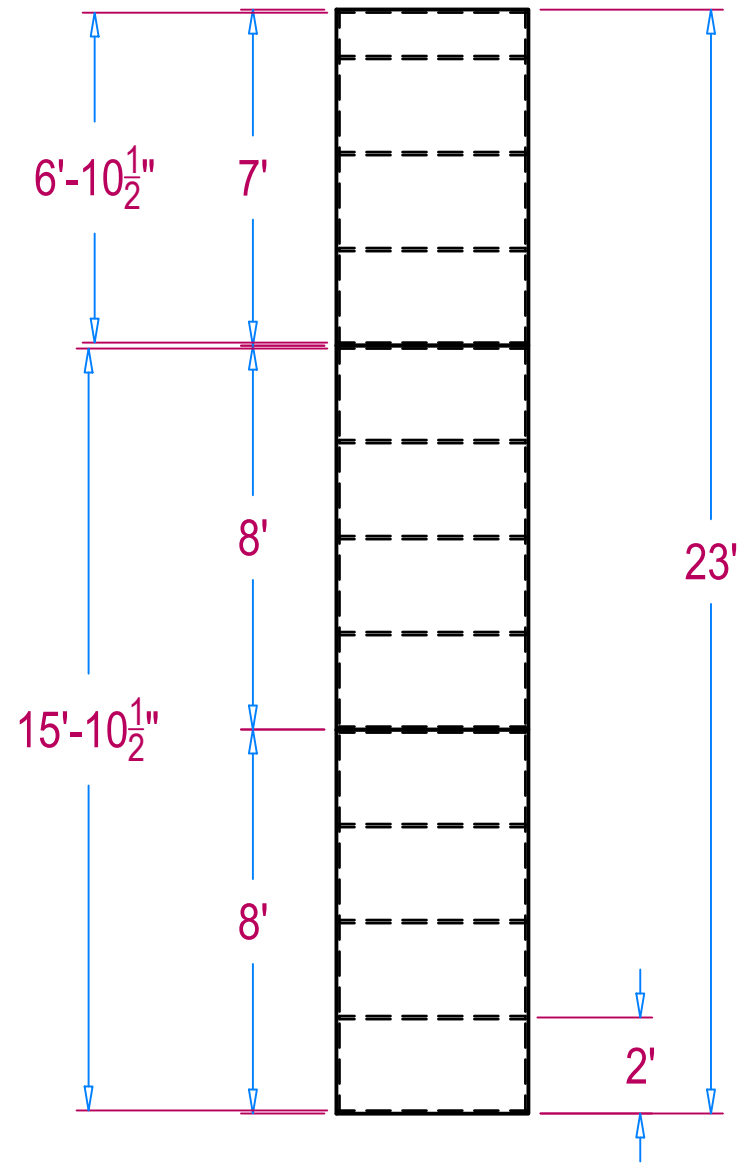
BUILD DRAWING

Contents:

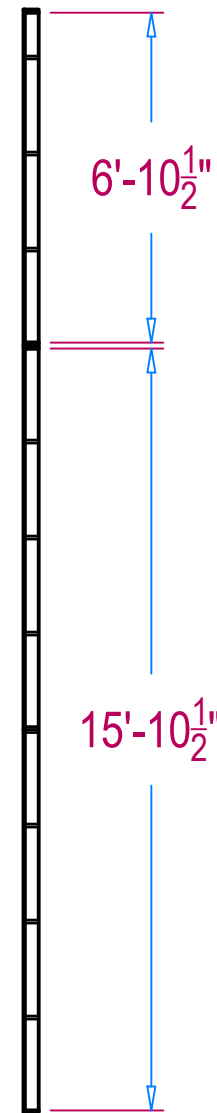
B



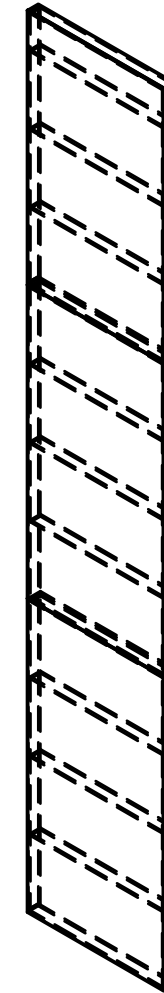
1  
C Plan 1/4" = 1'



2  
C Elevation 1/4" = 1'



3  
C Side View 1/4" = 1'



4  
C Isometric View NTS

(Build 5)



SCALE:  
1/2" = 1'0"

DRAWN BY:  
Aaron Laudermith  
PRINT DATE  
3/21/17

WAA-MU 2017

BUILD DRAWING

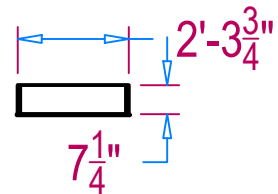
Contents:

Northwestern University / Writz Center

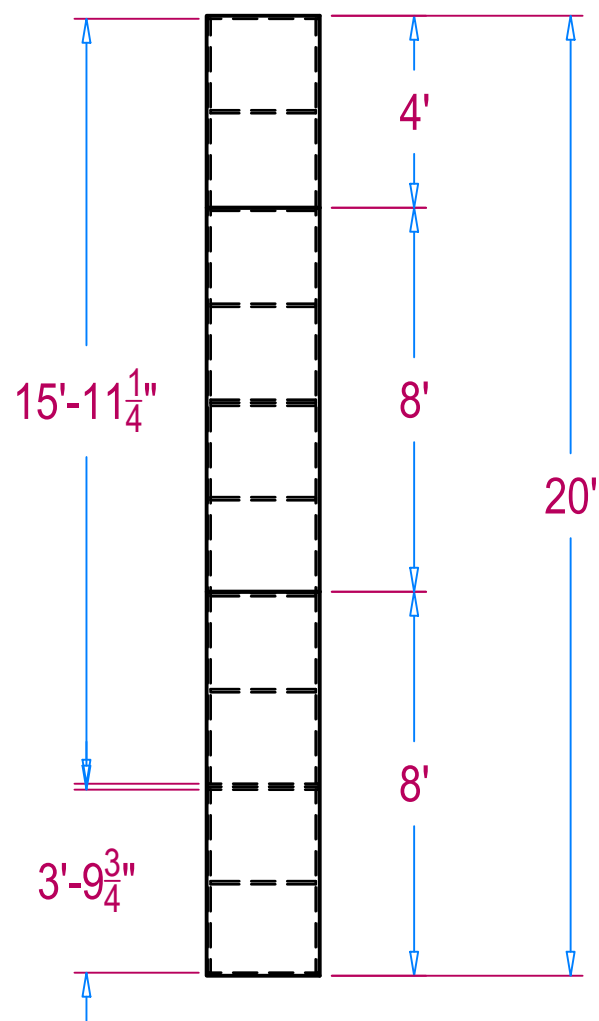
DIRECTOR:  
David Bell

LIGHTING DESIGNER:  
Will Kirkham

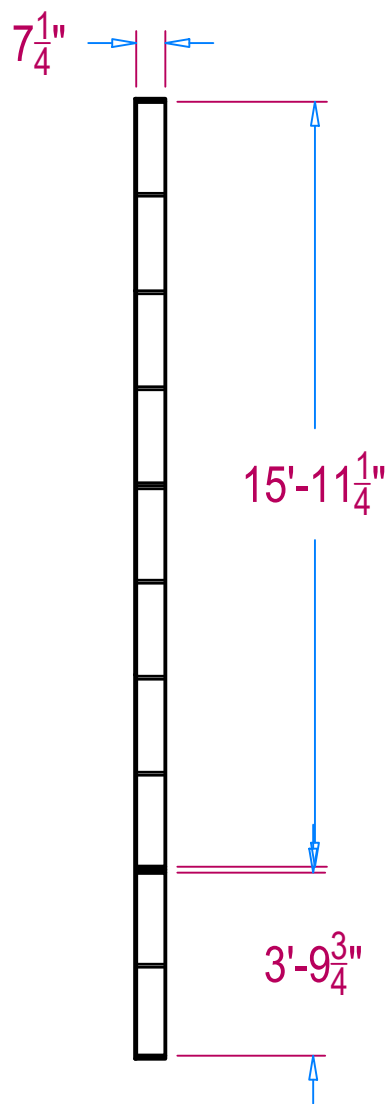
SCENIC DESIGNER:  
Scott Davis



1  
D Plan  $1/4" = 1'$



2  
D Elevation  $1/4" = 1'$



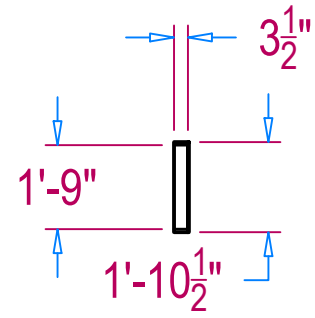
3  
D Side View  $1/4" = 1'$



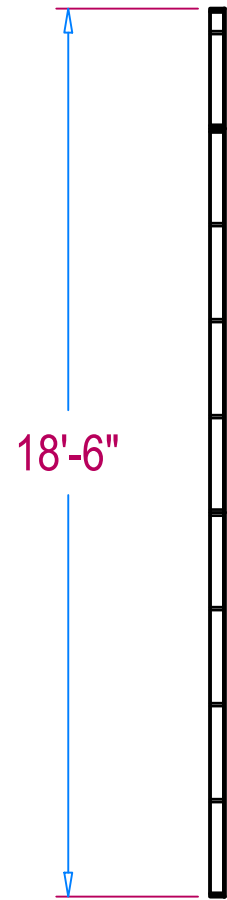
4  
D Isometric View NTS

(Build 2)

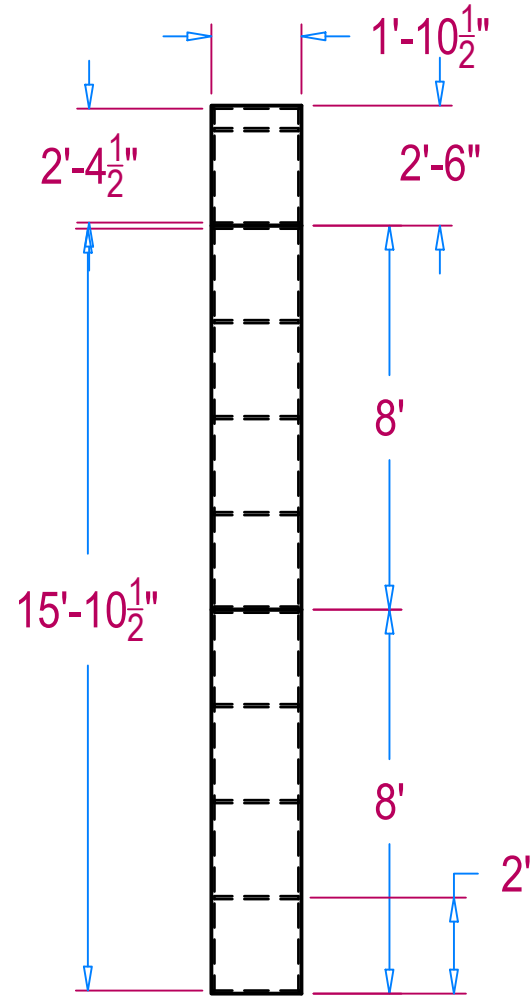
D	
SCALE: $1/2" = 1'0"$	
DRAWN BY: Aaron Laudermith	PRINT DATE 3/21/17
WAA-MU 2017	
BUILD DRAWING	
Contents:	
Northwestern University / Writz Center	David Bell
DIRECTOR:	LIGHTING DESIGNER:
SCENIC DESIGNER: Scott Davis	Will Kirkham



1  
E Elevation 1/4" = 1'



2  
E Elevation 1/4" = 1'



3  
E Elevation 1/4" = 1'



4  
E Isometric View NTS

(Build 2)

E

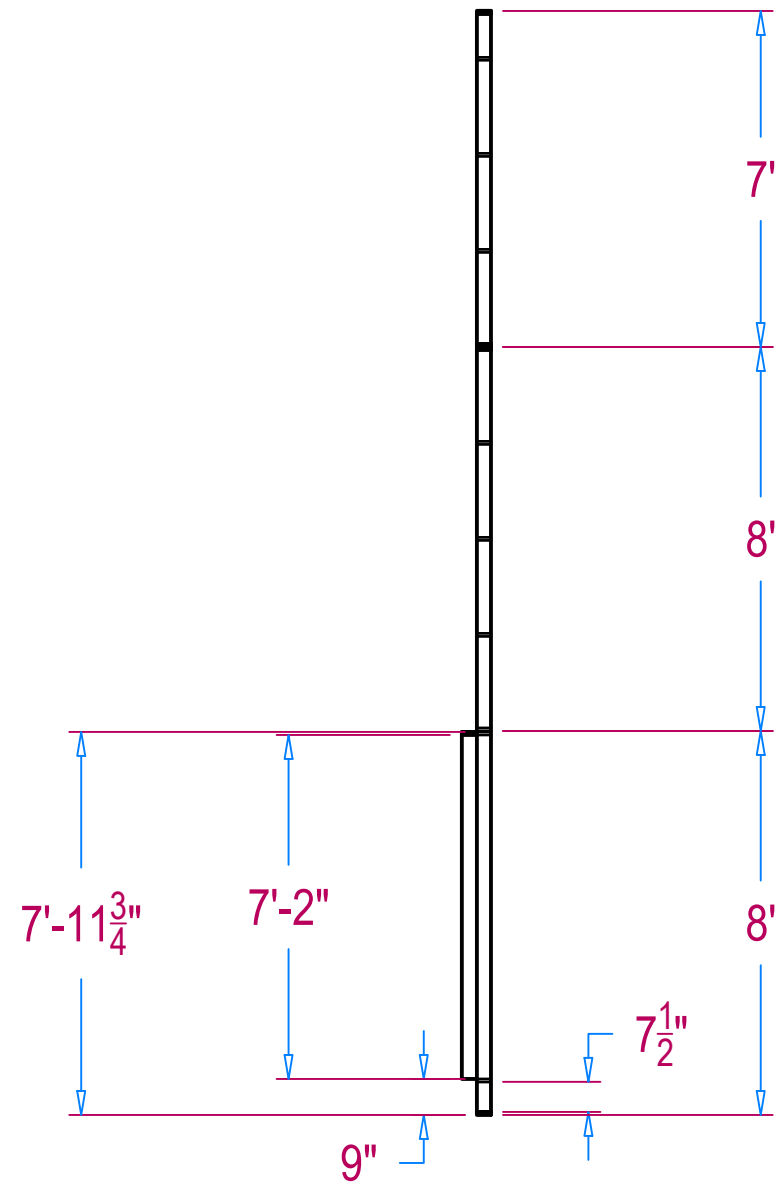
SCALE:  
1/2" = 1'0"

DRAWN BY:  
Aaron Laudermith  
PRINT DATE  
3/21/17

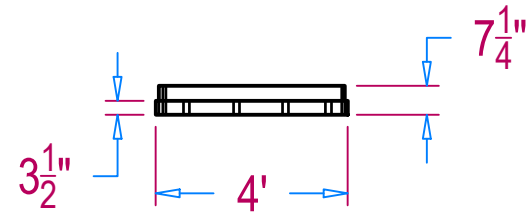
WAA-MU 2017  
BUILD DRAWING

Contents:

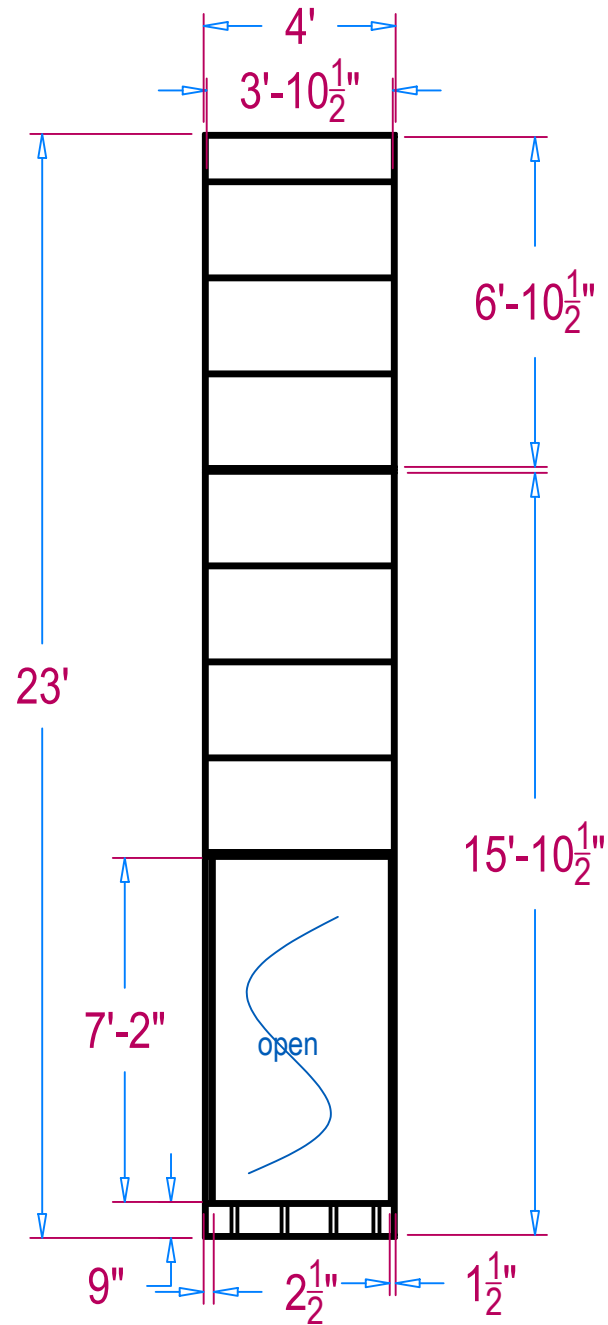
Northwestern University / Wirtz Center  
DIRECTOR: David Bell  
SCENIC DESIGNER: Scott Davis  
LIGHTING DESIGNER: Will Kirkham



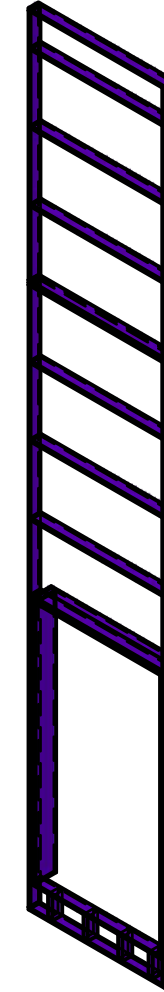
2  
F Elevation 1/4" = 1'



1  
F Elevation 1/4" = 1'



3  
F Elevation 1/4" = 1'  
1x4 & 1x8 Framing  
Brick Facing



4  
F Isometric View NTS

F

SCALE:  
1/2" = 1'0"

DRAWN BY:  
Aaron Laudermith

PRINT DATE  
3/21/17

WAA-MU 2017

BUILD DRAWING

Northwestern University / Wirtz Center

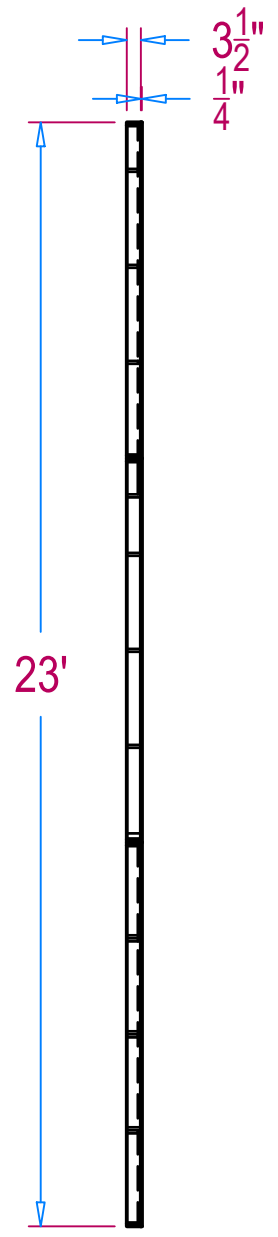
DIRECTOR:  
David Bell

SCENIC DESIGNER:  
Scott Davis

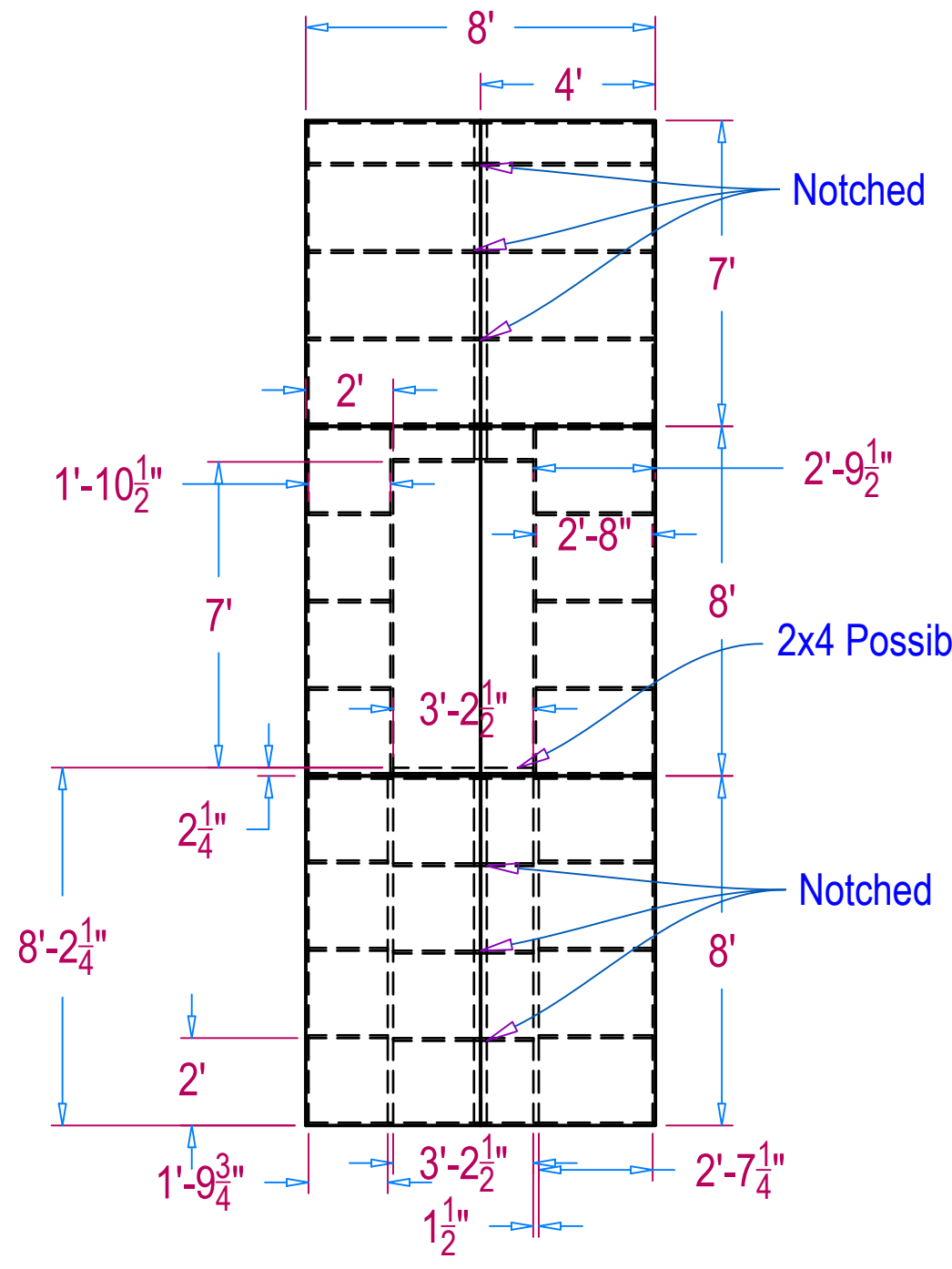
Content:

LIGHTING DESIGNER:  
Will Kirkham

2  
G Elevation 1/4" = 1'



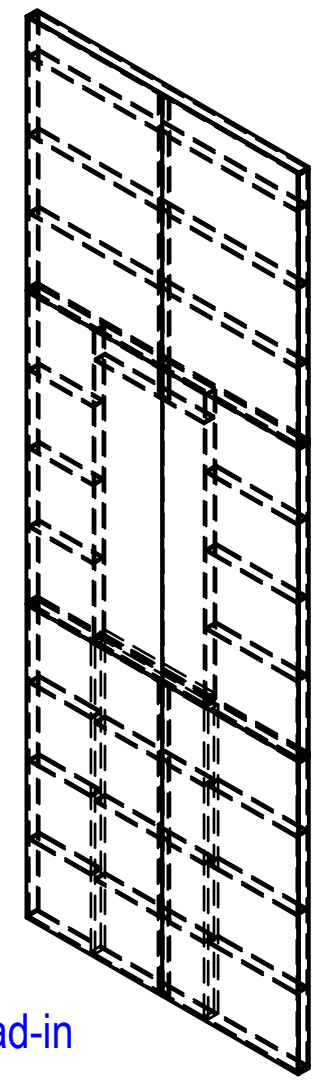
3  
G Elevation 1/4" = 1'  
1x4 & 1x8 Framing  
Brick Facing

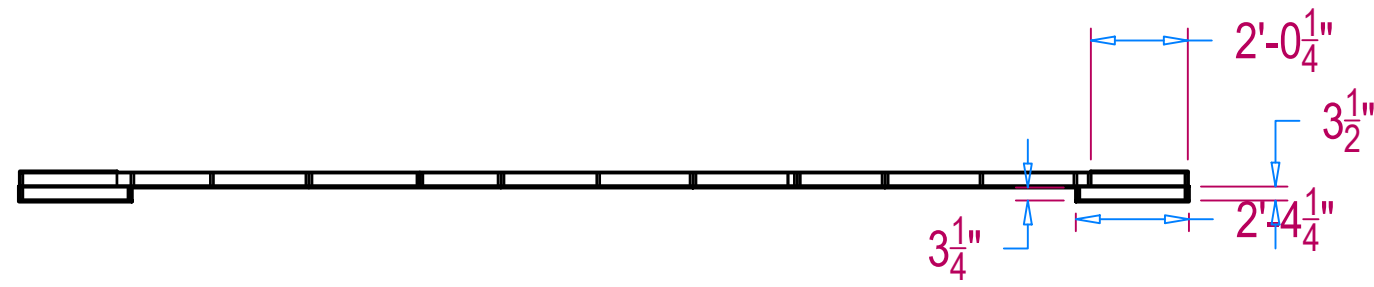


1  
G Elevation 1/4" = 1'

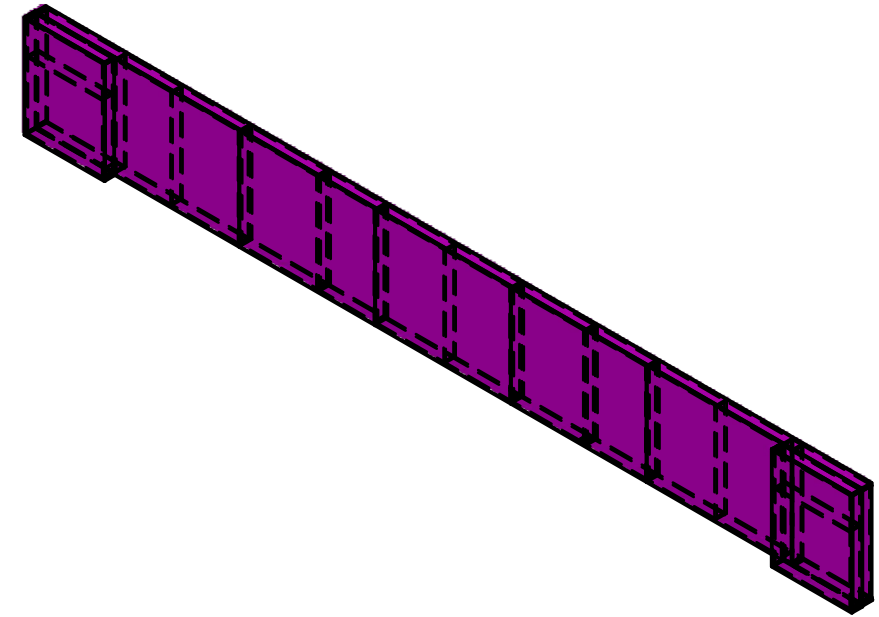


4  
G Isometric View NTS

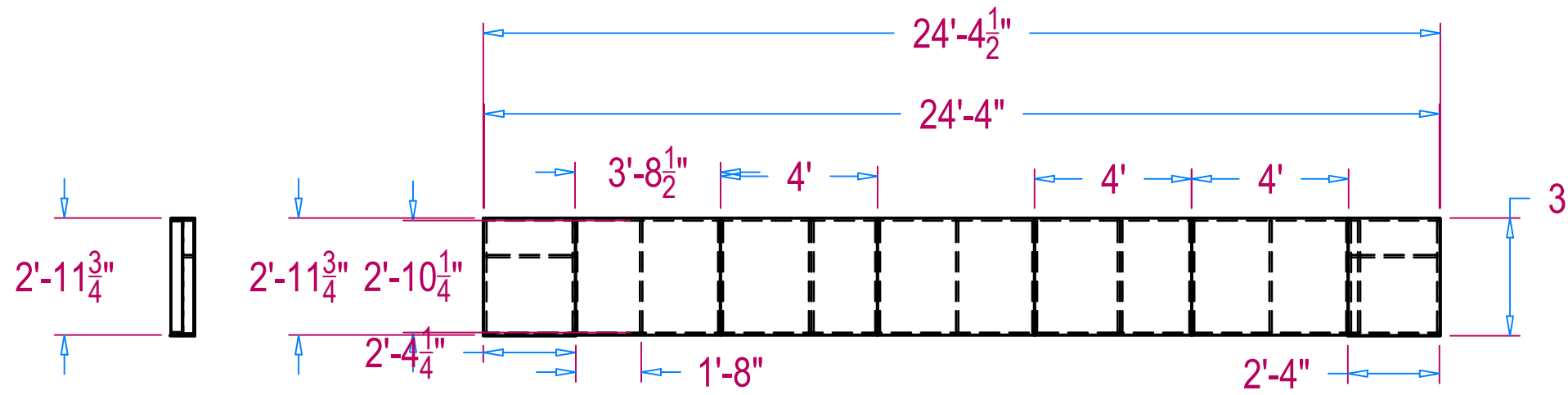




1  
H A Elevation 1/4" = 1'



4  
H A Isometric View NTS



2  
H A Elevation 1/4" = 1'

3  
H A Elevation 1/4" = 1'

H A

SCALE:  
1/2" = 1'0"

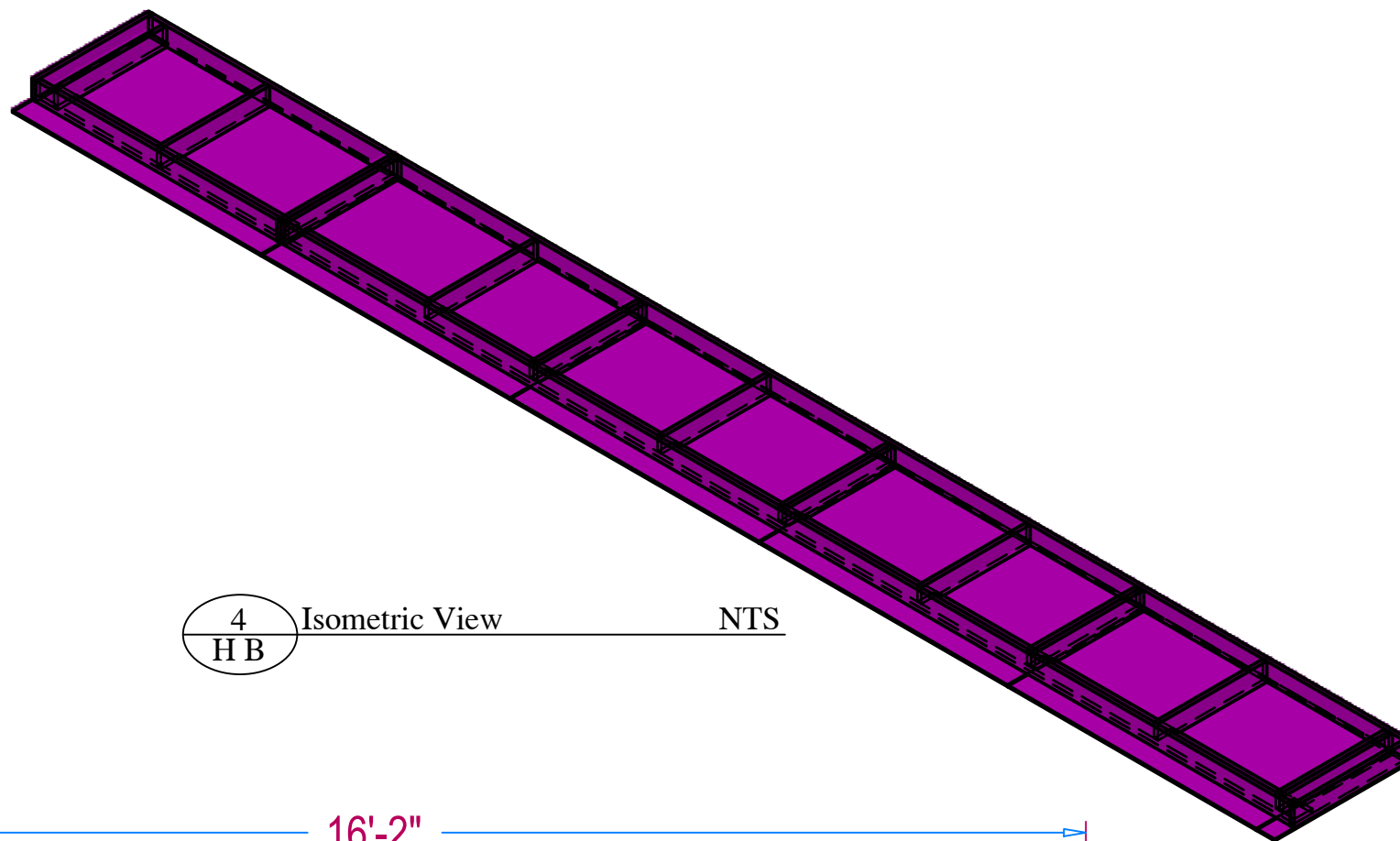
DRAWN BY:  
Aaron Laudermith  
PRINT DATE  
3/21/17

WAA-MU 2017  
BUILD DRAWING

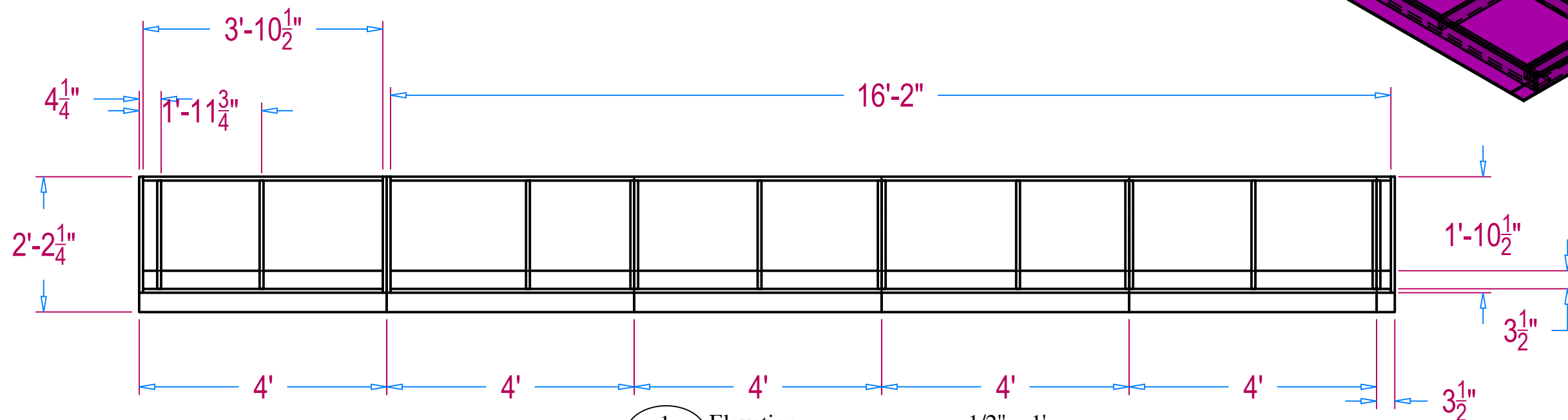
Contents:

DIRECTOR:  
Northwestern University / Wirtz Center  
David Bell  
SCENIC DESIGNER:  
Scott Davis  
LIGHTING DESIGNER:  
Will Kirkham

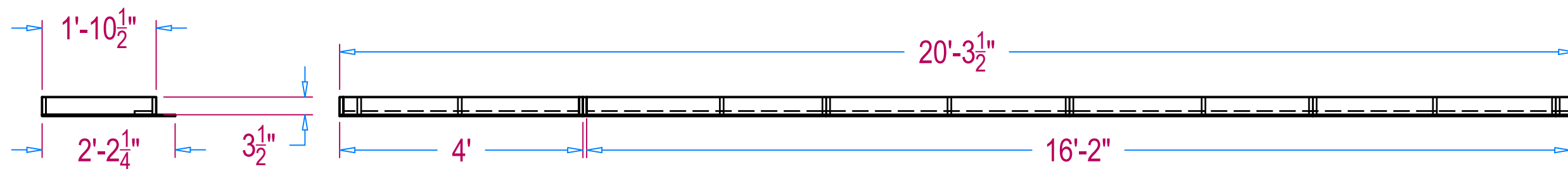




4  
H B Isometric View NTS

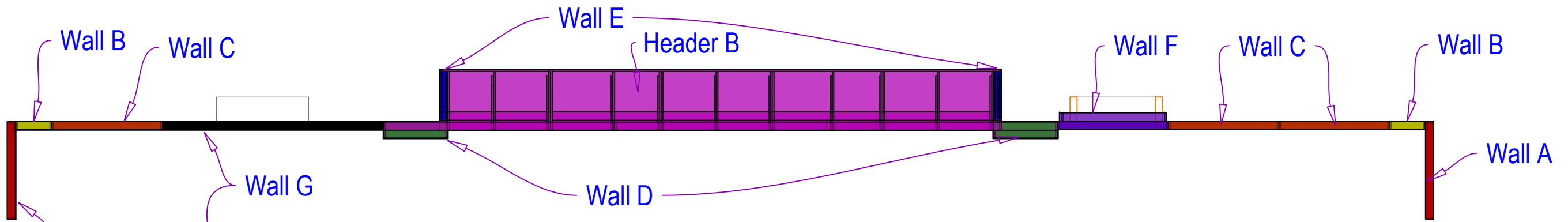


1  
H B Elevation 1/2" = 1'

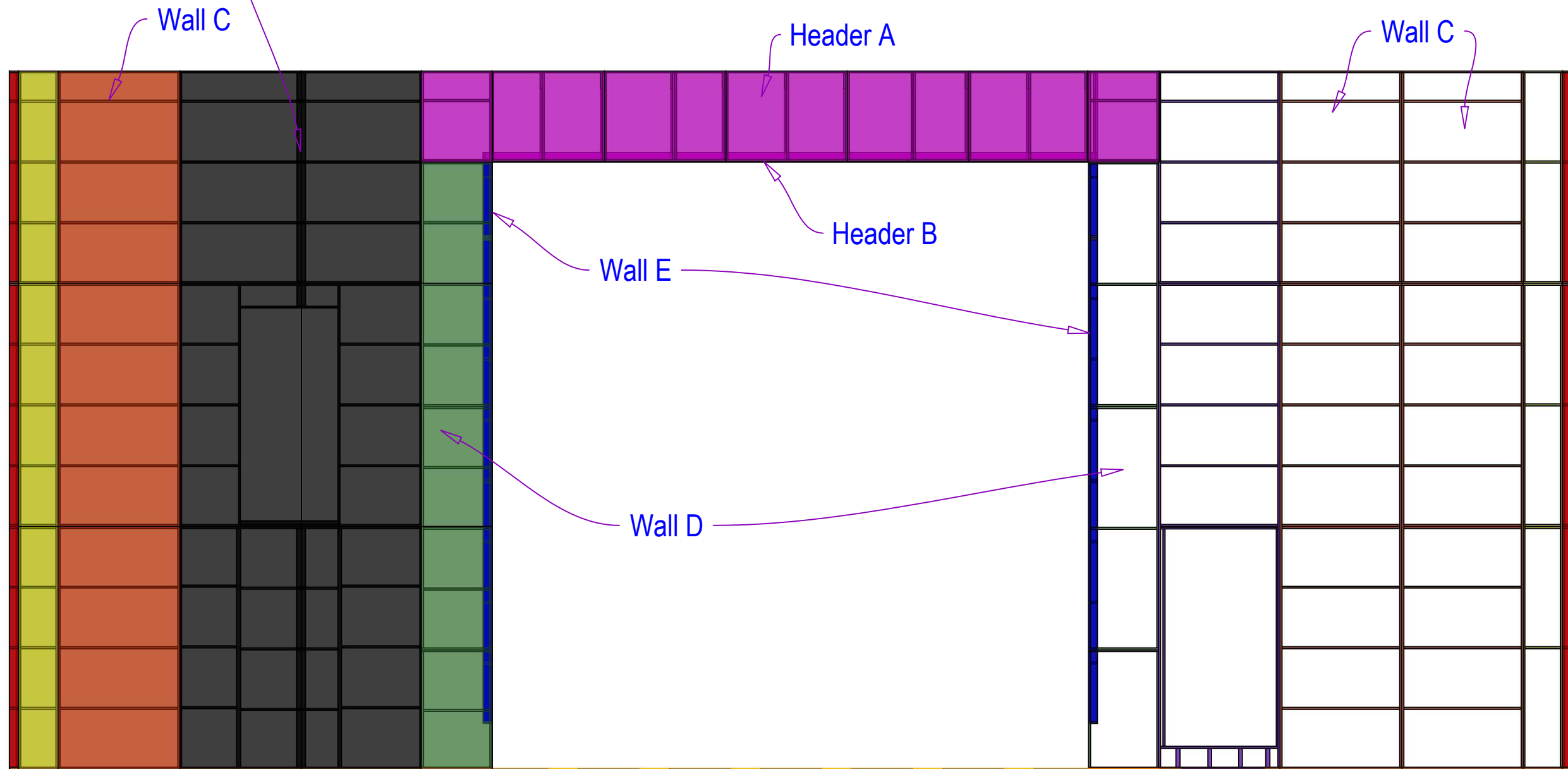


2  
H B Elevation 1/2" = 1'

3  
H B Elevation 1/2" = 1'



Plan View  
Scale: 1/4" = 1'-0"



Front View  
Scale: 1/4" = 1'-0"

1.0

SCALE:  
1/2" = 1'0"

DRAWN BY:  
Aaron Laudermith  
PRINT DATE  
3/21/17

WAA-MU 2017  
Brick Wall Assembly  
Contents:

Northwestern University / Wirtz Center  
DIRECTOR:  
David Bell  
SCENIC DESIGNER:  
Scott Davis  
LIGHTING DESIGNER:  
Will Kirkham